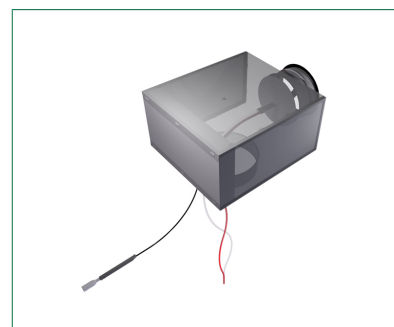
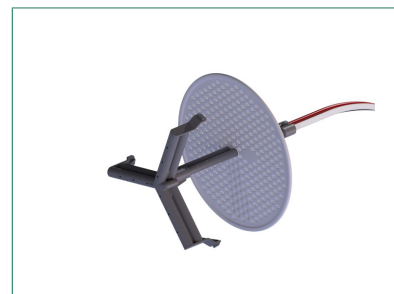
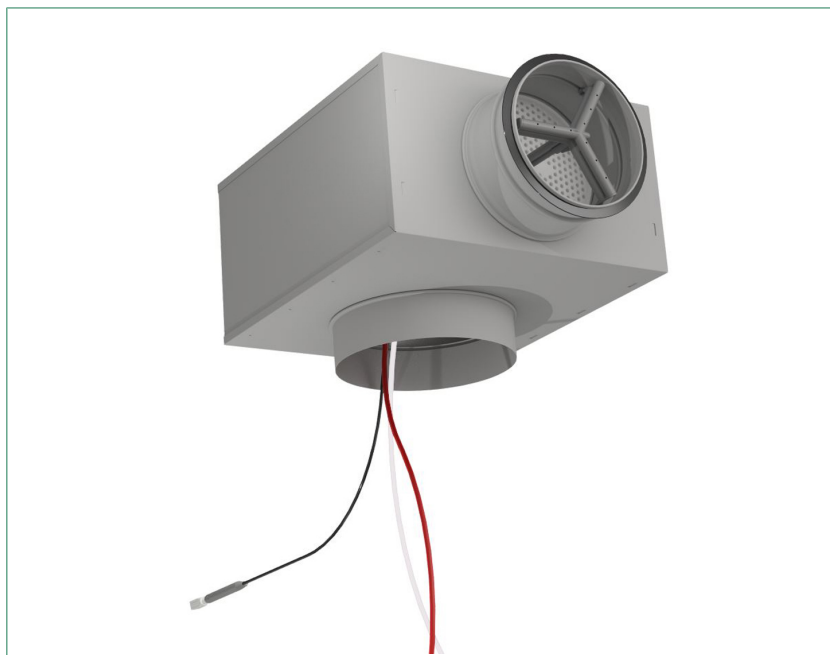


Plenum box ATTS



ATTS is a plenum box for all types of air diffusers and is applicable for supply and exhaust air alike. The patented measurement and adjustment damper enables balanced and accurate values. Thanks to its compact size, ATTS fits even the most confined spaces and is easy to handle.

Specifications

- Compact size
- Easy to install and adjust
- Accurate air flow measurement and adjustment
- Low sound level
- Includes a ZAEF measurement and adjustment damper that can be easily removed without changing the setting
- Duct connection sizes 100-315 mm, diffuser connection sizes 100-400 mm
- Available with 1:1 (e.g. 200:200 mm) and 1:2 (e.g. 200:250 mm) duct/diffuser connections
- Made of galvanized sheet steel
- Tightness class C

Product code example

Plenum box with 1:2 connections,
collar outwards

ATTS-160-200-1

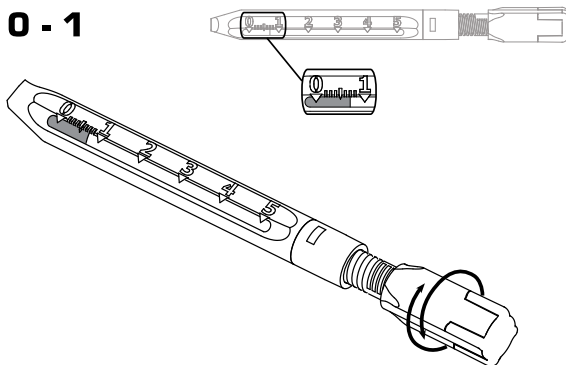
General

Execution and function

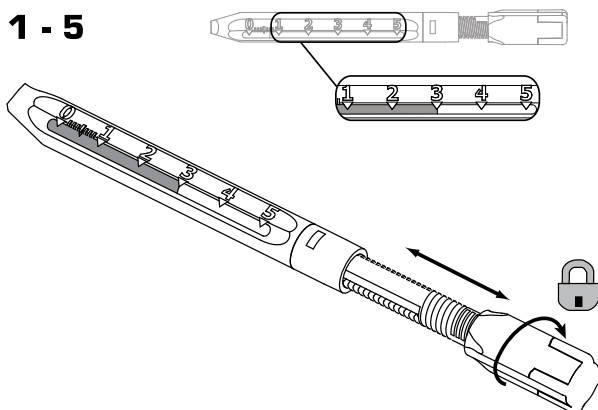
ATTS is a plenum box for all types of air diffusers. Extremely compact in size, it is easy to install and handle. ATTS is applicable for supply and exhaust air alike. In exhaust air use, the position of the measuring hose is changed to the measuring connector inside the box. The sound attenuation element does not need to be removed for cleaning.

The patented multipoint measuring of the measurement and adjustment damper enables balanced and accurate values. The adjustment handle of the measurement and adjustment damper has a position indicator and a locking device. For minor damper openings (0–1) the measurement and adjustment damper features a fine-tuning function that is operated by turning the adjustment spindle of the adjustment handle. With larger openings (1–5), the sliding adjustment provides fast settings. The setting is locked by turning the adjustment spindle clockwise to the locking position. The measurement and adjustment damper can be easily removed for inspection and cleaning without changing its setting. The k-factors for different installations (supply air) are marked on the adjusting cable. For k-factors for exhaust air, see the adjustment instructions for the respective diffuser.

0 - 1



1 - 5



Installation

For installation purposes, the plenum box is provided with a hole for a threaded rod at the diffuser connection. For more detailed information, see the product-specific installation instructions.

Maintenance

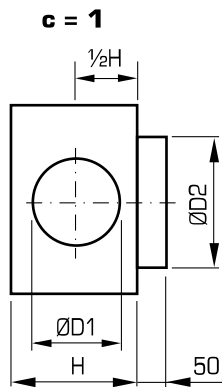
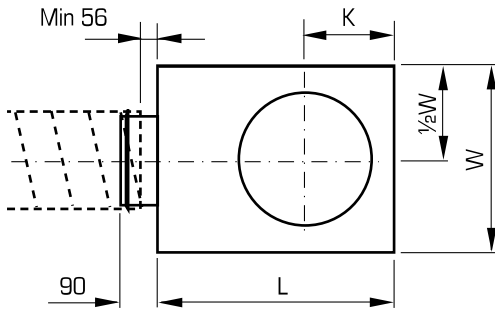
The ATTS plenum box includes a measurement and adjustment damper (ZAEF) that can be easily removed without changing its setting. The sound attenuation element is easy to clean without needing to remove it. For more detailed information, see the product-specific maintenance instructions. The ductwork can be cleaned through the box.

Material

Made of galvanized sheet steel. The sound attenuation element is made of polyester fibre. The measurement and adjustment damper is mainly plastic (ABS and PA).

Dimensions and weight

The range of duct connection diameters is 100-315 mm, and the range of diffuser connection diameters is 100-400 mm. The plenum box is available with 1:1 (e.g. 200:200 mm) and 1:2 (e.g. 200:250 mm) duct/diffuser connections, where the smaller diameter is always the duct connection diameter.



Model 1:1

ATTS	ØD1 mm	ØD2 mm	H mm	L mm	W mm	K mm	Weight kg
100-100	99.3	100	170	300	220	115	1.6
125-125	124.3	125	170	340	300	133	2.1
160-160	159.3	160	195	380	340	153	2.7
200-200	199.3	200	235	480	380	178	3.7
250-250	249.3	250	285	530	380	211	4.3
315-315	314.3	315	335	530	480	253	5.5

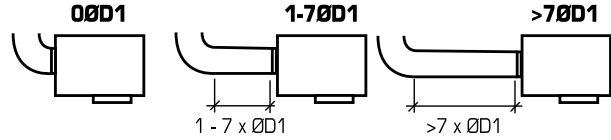
Model 1:2

ATTS	ØD1 mm	ØD2 mm	H mm	L mm	W mm	K mm	Weight kg
100-125	99.3	125	170	300	220	115	1.6
125-160	124.3	160	170	340	300	133	2.1
160-200	159.3	200	195	380	340	153	2.6
200-250	199.3	250	235	480	380	178	3.6
250-315	249.3	315	285	530	380	211	4.2
315-400	314.3	400	335	530	480	253	5.4

K-factors and product description

K-factors for supply air

For k-factors for exhaust air, see the adjustment instructions for the respective diffuser.



ØD1	0ØD1	1-7ØD1	>7ØD1
100	6,0	6,3	5,9
125	10,1	10,6	10,1
160	17,1	19,9	17,3
200	27,0	30,8	27,9
250	47,1	48,8	39,9
315	65,9	67,2	64,1

Product description

ATTS plenum box by FläktGroup, for supply and exhaust air. A compact plenum box that includes a removable ZAEF measurement and adjustment damper as well as a sound attenuation element.

Product code

Plenum box 1:1 **ATTS-aaa-bbb-c**

Size, mm (aaa-bbb)
100-100, 125-125, 160-160, 200-200, 250-250, 315-315
(duct connection diameter - diffuser connection diameter)

Type (c)
1 = collar outwards

Plenum boxes 1:1 have the same duct and diffuser connection diameters. The damper can be detached from the collar but cannot be taken out of the plenum box.

Plenum box 1:2 **ATTS-aaa-bbb-c**

Size, mm (aaa-bbb)
100-125, 125-160, 160-200, 200-250, 250-315, 315-400
(duct connection diameter - diffuser connection diameter)

Type (c)
1 = collar outwards

Accessories

Measurement and adjustment damper **ZAEF-aaa-b**

Size, mm (aaa)
100, 125, 160, 200, 250, 315

Hose length, m (b)
1 = 1 m
3 = 2 m

Sound attenuation element (1 pc.) **COVZ-aaa-2**

Size, mm (aaa)
100, 125, 160, 200, 250, 315